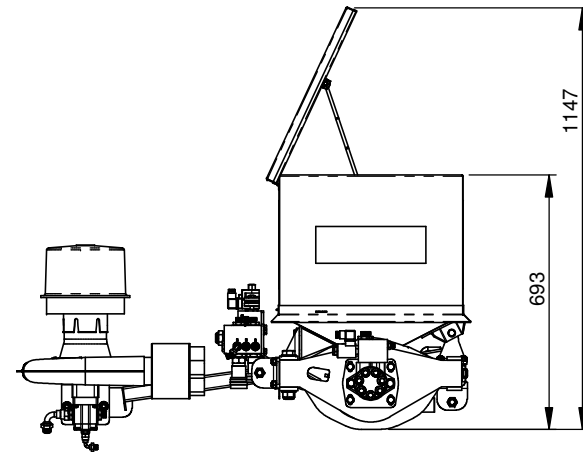
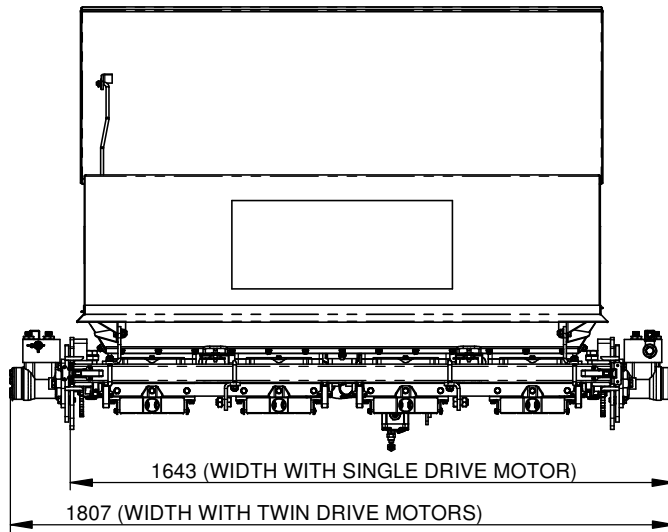


DO NOT SCALE

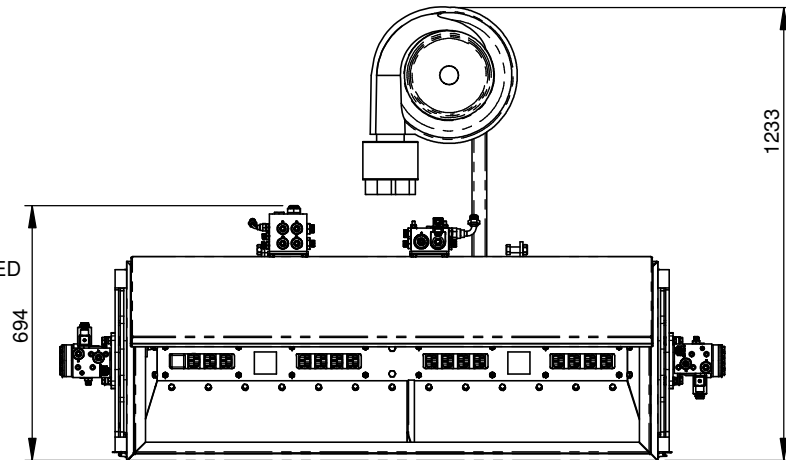
REMOVE ALL BURRS AND SHARP EDGES

IF IN DOUBT ASK

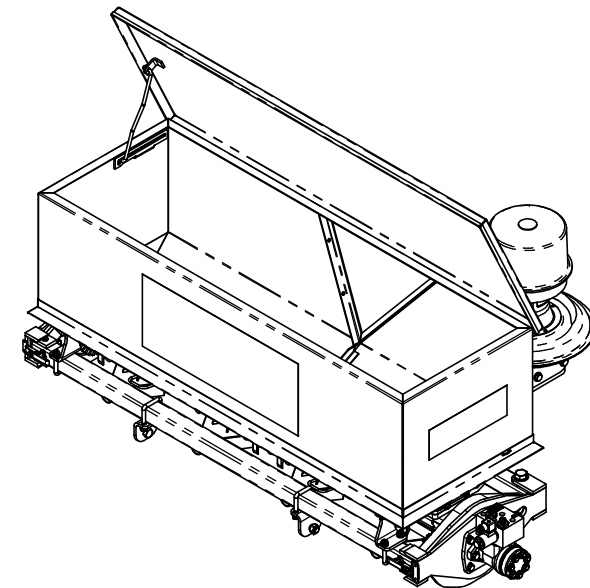
ALL DIMENSIONS IN MILLIMETRES



MAX WIDTH IF FAN IS REMOTE MOUNTED

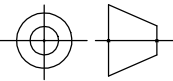


MAX WIDTH IF FAN ATTACHED TO FRAME



CONFIDENTIAL

COLOUR FINISH



MATERIAL:



DATE: 05/08/2013

AUTHOR: R.PEARSON

SCALE: 1:20

THIS DRAWING IS THE PROPERTY OF CHAFER MACHINERY LTD. AND MUST NOT BE LOANED OR REPRODUCED WITHOUT PRIOR CONSENT

TO AGREED CHAFER / HORSTINE SPECIFICATION. ALL TAPPED HOLES AND MACHINED SURFACES TO BE PLUGGED OR MASKED OFF

ROUGH	V	6.3
SMOOTH	VV	3.2
FINE	VVV	0.8

FULLY WELD ALL OVER UNLESS STATED  
FILLETS TO BE EQUAL TO MINIMUM PLATE THICKNESS

COW LANE, UPTON, GAINSBOROUGH  
LINCOLNSHIRE DN215PB  
TEL. 01427 838363 FAX. 01427 838507

GENERAL TOLERANCE

1	+/- 0.5
1.0	+/- 0.1
1.00	+/- 0.01

FAB. TOLERANCE

+/- 1.5	UP TO 1M
+/- 2.0	1M TO 3M
+/- 2.5	3M PLUS

DESCRIPTION:

TWIN AIR COMP. ASSEMBLY

PART No:

H207123

SHEET 1

OF 1